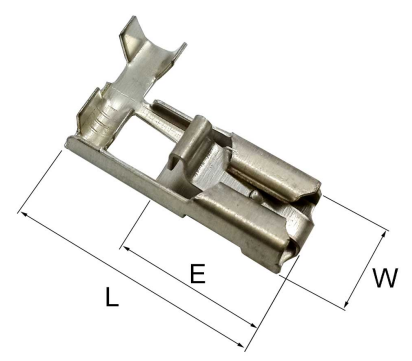
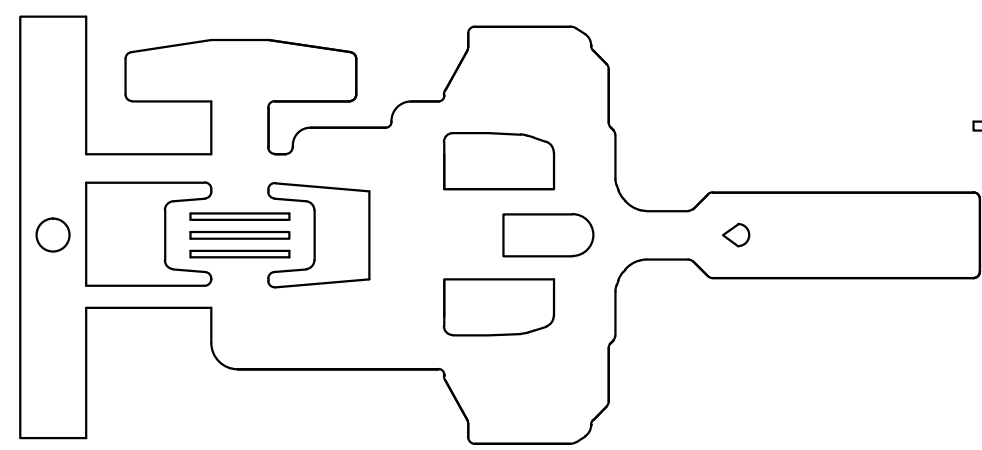
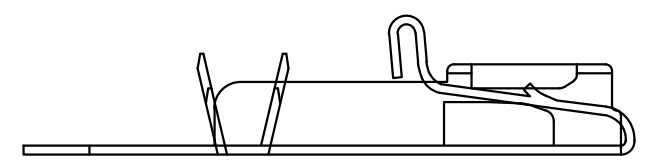
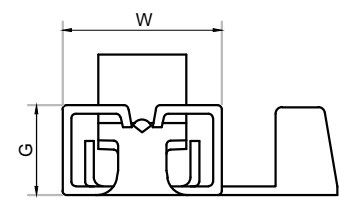
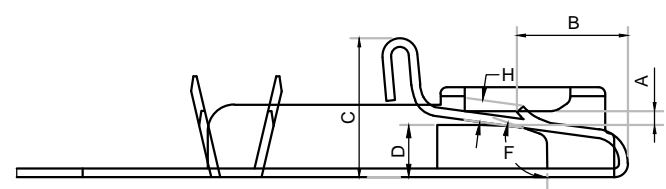


Measures	
<b>A</b>	<b>0.63±0.05</b>
<b>B</b>	<b>5.1±0.05</b>
<b>C</b>	<b>6.35±0.05</b>
<b>D</b>	<b>2.7±0.05</b>
<b>H</b>	<b>1±0.05</b>
<b>F</b>	<b>109degree</b>
<b>G</b>	<b>4.1±0.05</b>
<b>W</b>	<b>7.4 ±0.05</b>
<b>I</b>	<b>5±0.2</b>
<b>J</b>	<b>4.4±0.2</b>
<b>K</b>	<b>3±0.2</b>
<b>M</b>	<b>3.5±0.2</b>



	<b>NAME:</b>	<b>DATE:</b>	<b>ASAN BIN KHODRO</b> <b>(ASA)</b>	<b>PRODUCT NAME:</b>	
	<i>M.mohammadi</i>	<i>1/7/2019</i>		<b>6.3Flag Terminal</b>	
	<b>DRAWN</b>	----		----	<b>PRODUCT CODE:</b>
	<b>CHECKED</b>	----		----	<b>T2507-1501</b>
<b>APPROVED</b>	----	----	<b>MATERIAL &amp; DESCRIPTION:</b>	<b>TOLERANCE: -</b>	
			<i>CuZn30 and 2to5 micron Tin coating</i>	<b>TICKNESS: 0.4mm</b>	
			<b>SCALE: 3:1</b>	<b>SHEET: 1/1</b>	
			<b>SIZE:-</b>		