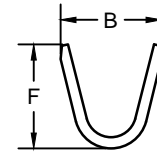
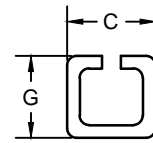
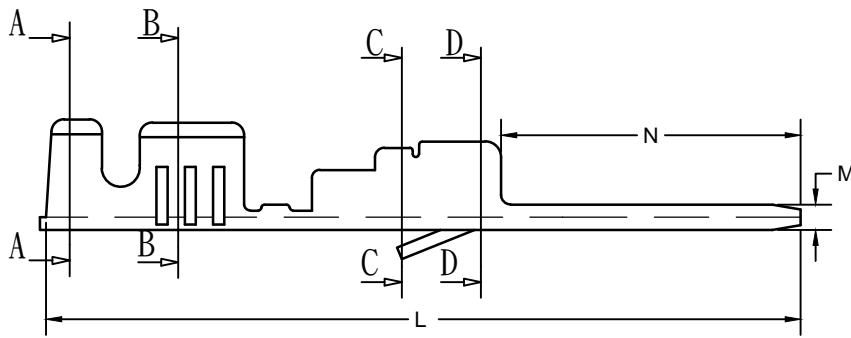


SEC A-A

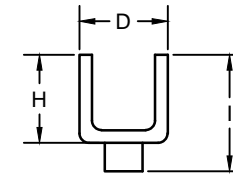


SEC B-B

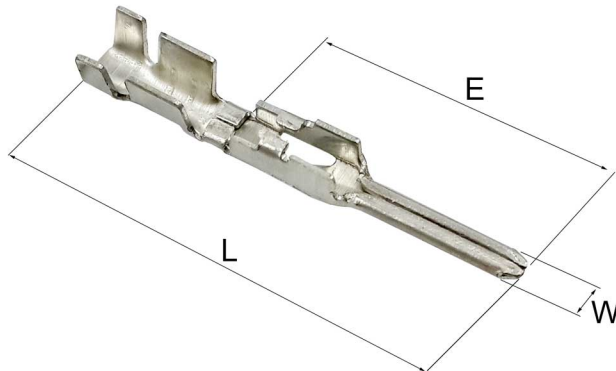
Measures	
A	3.7±0.2
B	3.3±0.2
C	2.9±0.1
D	2.9±0.1
J	3.5±0.2
F	3.4±0.2
G	2±0.2
H	2.6±0.2
I	3.6±0.2
E	15.6±0.2
W	1.7±0.05
M	0.8±0.05
L	24.6±0.05
N	9.7±0.05



SEC C-C



SEC D-D



	NAME:	DATE:	<i>ASAN BIN KHODRO</i>	PRODUCT NAME:	
	<i>M.mohammadi</i>	<i>1/7/2019</i>			(ASA)
	DESIGN	----	----	MATERIAL & DESCRIPTION:	PRODUCT CODE:
	DRAWN	----	----		
CHECKED	----	----	<i>CuZn30 and 2to5 micron Tin coating</i>	TOLERANCE: -	
APPROVED	----	----		THICKNESS: 0.4mm	
			SCALE: 3:1	SHEET: 1/1	
			SIZE: -		