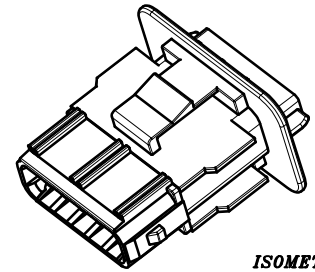
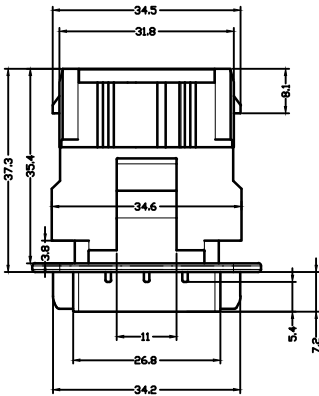
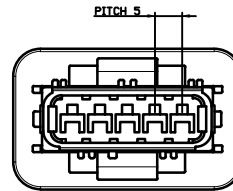
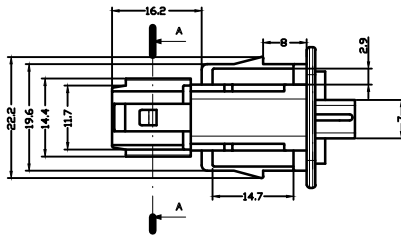
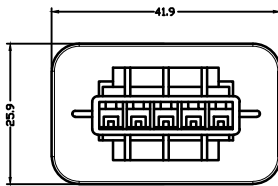


Section cut A-A



ISOMETRIC VIEW

| | | | | | |
|-----------------------------|--------------------|--------------|------------------------------------|----------------------|------------------------|
| | NAME: | DATE: | ASAN BIN KHODRO (ASA) | PRODUCT NAME: | |
| | <i>M.mohammadi</i> | 7/28/2019 | | PRODUCT CODE: | |
| | DESIGN | ---- | | ---- | <i>MH5770005</i> |
| | DRAWN | ---- | | ---- | TOLERANCE: ±0.1 |
| CHECKED | ---- | ---- | MATERIAL & DESCRIPTION: | | |
| APPROVED | ---- | ---- | PA6 | THICKNESS: - | |
| DWG NO: MH5770005-01 | | | SCALE: 2:1 | SHEET: 1/1 | |
| | | | SIZE:- | | |