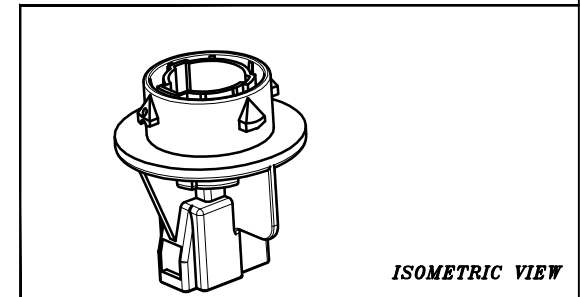
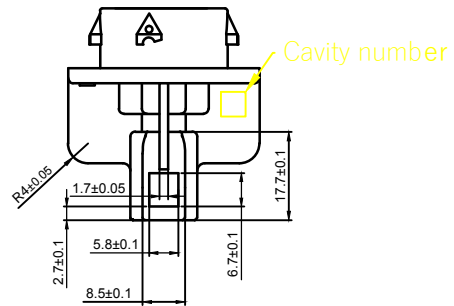
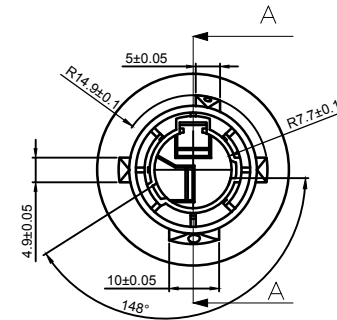
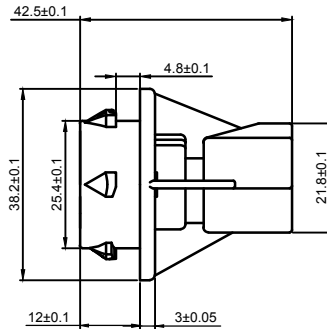
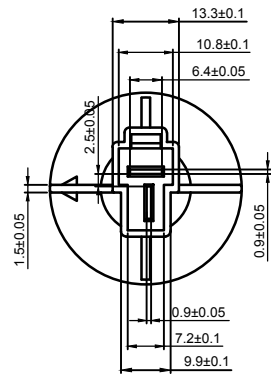
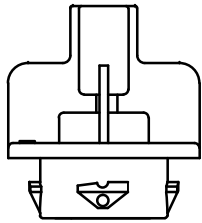


SECTION VIEW A-A



ISOMETRIC VIEW

	<b>NAME:</b>	<b>DATE:</b>	<b>ASAN BIN KHODRO</b> (ASA) <b>MATERIAL &amp; DESCRIPTION:</b> PAB	<b>PART NAME &amp; CODE:</b>
<b>DESIGN</b>	m.mohammadi	6/13/2019		<b>PY connector (TIDA)</b>
<b>DRAWN</b>	----	----		<b>PRODUCT NAME &amp; CODE:</b>
<b>CHECKED</b>	----	----		LH5725702
<b>APPROVED</b>	----	----		<b>TOLERANCE:</b> ---
m.mohammadi100@gmail.com			<b>DWG NO:</b> LH5725702-01	<b>SCALE:</b> 1:1
			<b>SHEET:</b> 1/1	<b>SIZE:</b> A3
			<b>SHRINKAGE:</b> ---	