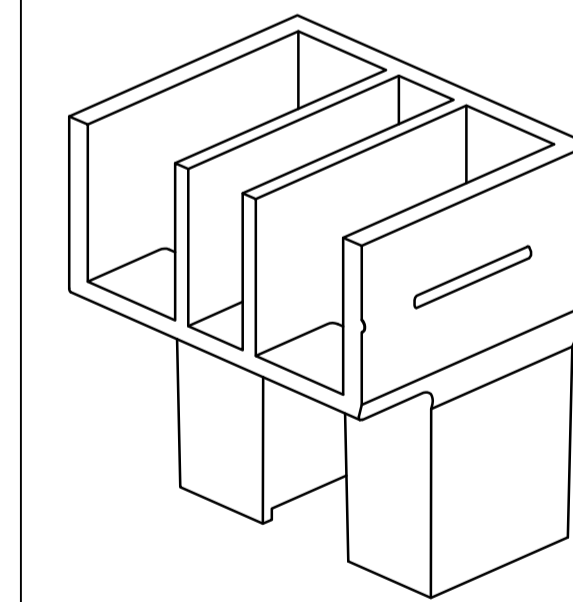
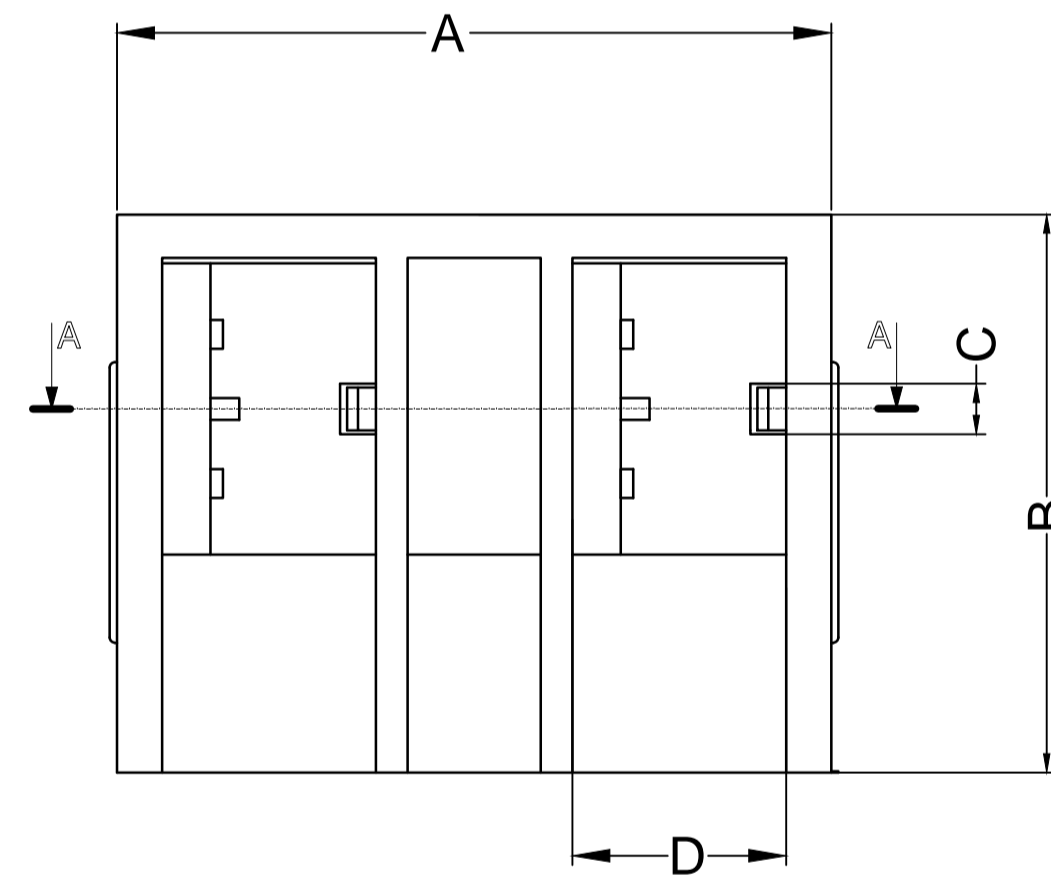


SECTION VIEW A-A



Isometric VIEW

MEASURES									DESIGN	NAME:	DATE:	ASAN BIN KHODRO (ASA)			PRODUCT NAME:	
A	B	C	D	E	F	G	H	I	DRAWN	M.mohammadi	14/8/2019				LAMP CONNECTOR	
19.8	15.6	1.2	6	0.8	21.1	1.8	4.7	8.1	CHECKED	----	----	PRODUCT CODE:				
									APPROVED	----	----	LC8712002				
									DWG NO:LC8712002-01			MATERIAL & DESCRIPTION:			TOLERANCE: ± 0.1	
												SCALE: 1:3:1	SHEET: 1/1	SIZE: -	SHRINKAGE: ---	